



Smarter pipeline solutions

Double Door Wafer Check Valves

Maximum nominal working pressure 16Bar / 230PSI.
Suited to all flange configurations.

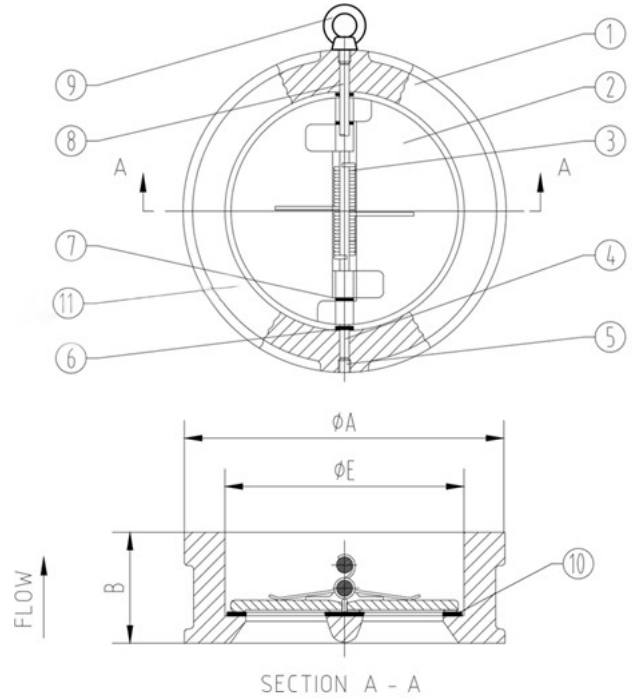
Suitable for:

Hot & Cold Water
Alcohols
Coolants
Acids & bases
Irrigation
Sewage
Potable Water

Available in:

DN50
DN65
DN80
DN100
DN125
DN150
DN200
DN250
DN300





Dimensions

SIZE		B	E	A
in	DN			AS2129 TABLE E
2	50	43	66	96
2 ½	65	46	81	109
3	80	64	95	128
4	100	64	118	160
5	125	70	146	192
6	150	76	171	213
8	200	89	225	270
10	250	114	266	334
12	300	114	311	380

Standard Materials of Parts

NO.	PART	MATERIAL
1	Body	Epoxy Coated Ductile Iron Body
2	Plate	Double Door 316L Grade Stainless Steel Disc - CF8M
3	Spring	Stainless Steel
4	Hinge Pin	Stainless Steel
5	Plug	Carbon Steel
6	Body Bearing	PTFE
7	Spring Bearing	PTFE
8	Stop Pin	Stainless Steel
9	Eye Bolt	Carbon Steel
10	Body Seat	EPDM Liner rated to 120°C
11	Flange Gasket	EPDM

Contact us to discuss your pipeline project 0800 387 677



Auckland | New Plymouth | Wellington

Head Office: 90 Hurlstone Drive, New Plymouth

e: support@waterworks.co.nz

www.waterworks.co.nz